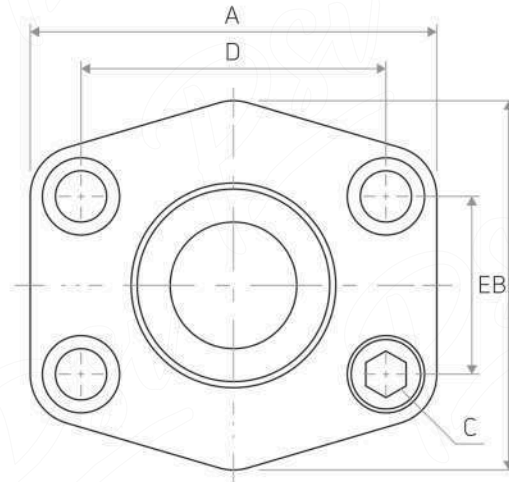


## SAE FLANGES – STANDARD DIMENSIONS



### SERIES 3000 PSI

Flange size	A	B	Bolts	C	D	E
1/2"	57	47	M8	5/16"	38.0	17.5
3/4"	66	49	M10	3/8"	47.6	22.2
1"	71	53	M10	3/8"	52.4	26.2
1 1/4"	80	69	M10	7/16"	58.7	30.2
1 1/2"	95	77	M12	1/2"	70.0	36.7
2"	103	89	M12	1/2"	77.8	42.9
2 1/2"	116	101	M12	1/2"	89.0	50.8
3"	136	124	M16	5/8"	106.4	62.0
3 1/2"	152	136	M16	5/8"	120.7	70.0
4"	162	146	M16	5/8"	130.0	77.8
5"	184	180	M16	5/8"	152.4	92.0

### SERIES 6000 PSI

Flange size	A	B	Bolts	C	D	E
1/2"	57	47	M8	5/16"	40.0	18.3
3/4"	71	53	M10	3/8"	50.8	23.8
1"	80	66	M12	7/16"	57.1	27.8
1 1/4"	94	77	M14	1/2"	66.7	31.6
1 1/2"	103	89	M16	5/8"	79.4	36.7
2"	135	123	M20	3/4"	96.8	44.4